

- Back**
- o Flat Cable Connectors SEK
 - o *har-mik®*
 - o D-Sub
 - o InduCom

- **Applications**

Product details

09 56 300 4701

High density cable connector

Gender	Female High Density
Termination	Crimp
Number of contacts	44
Flange	through hole 3.1 mm
Shell	tinned metal shell
Insulation material	PBTP
Contact configuration	contacts must be order separately
RoHS compliant	Yes

Inquiry

Available Downloads

Title	Format	
Data sheet	PDF	download
CAD data 2D	DXF	download

Product news

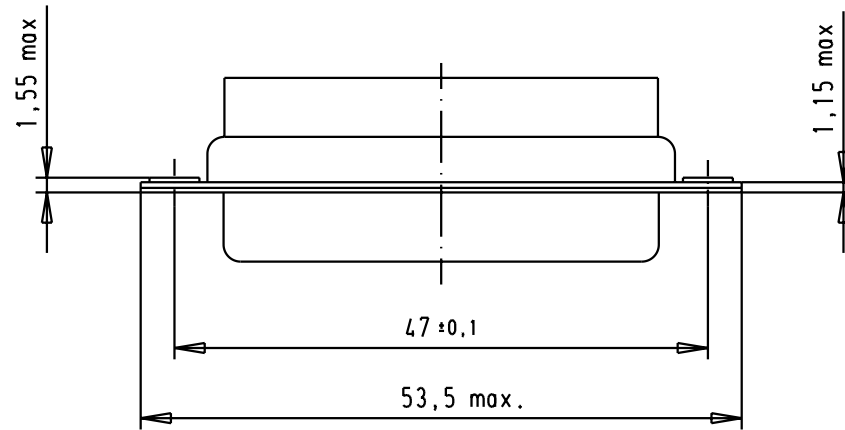
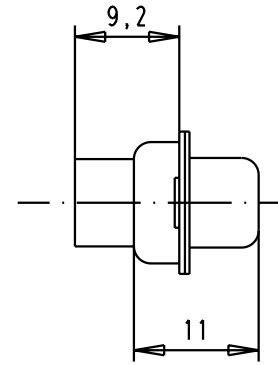
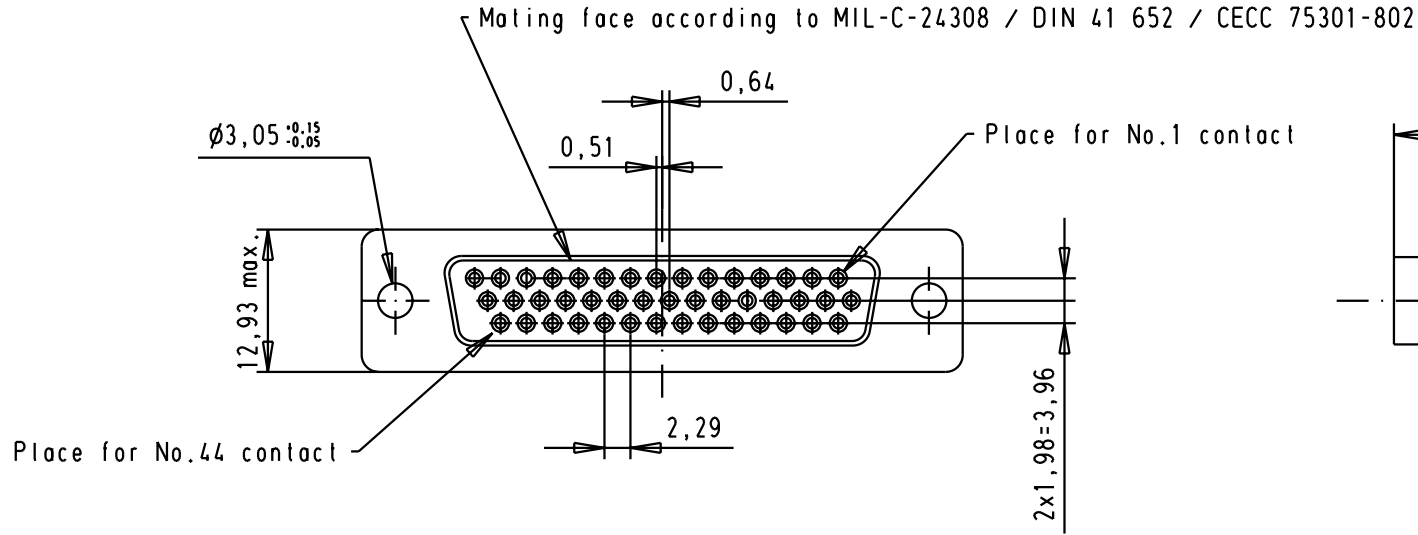
5

4

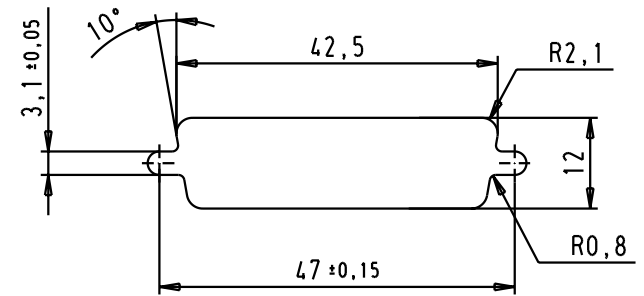
3



2

1



Panel cut out
1:1



				Det.	16-SEP-02	Name	CV	 All Dim. in mm Orig. Size DIN A 4	D-Sub, female, high density, 44 poles, for crimp contacts	Maßstab/ Scale	1:1
			Insp.								
			Stand.								
31064	16-SEP-02	CV	HARTING EURL F-95972 Paris				TB 09563004701	Blatt/ Page 1			
Mod.	Del.	Name					Sub.				